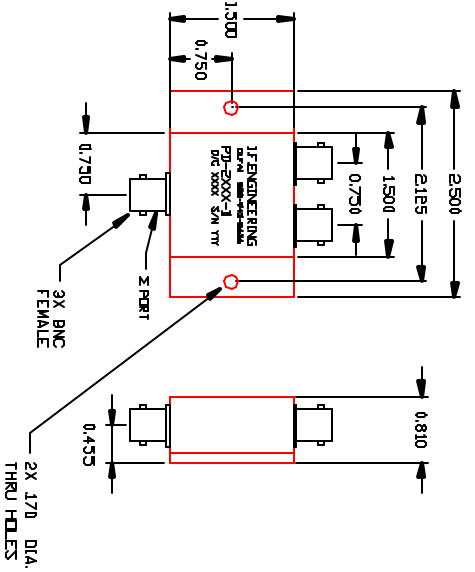
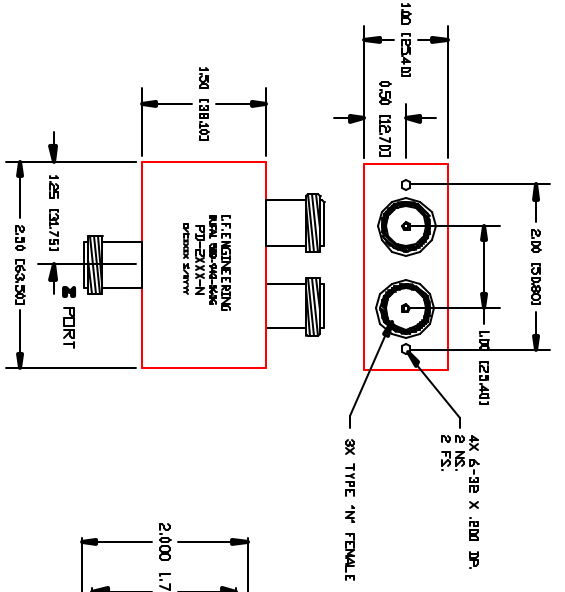


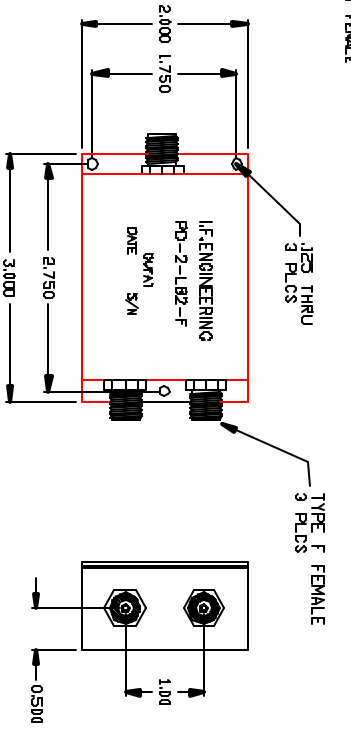
TYPE BNC DR 'F' PACKAGE
(-B or -F)



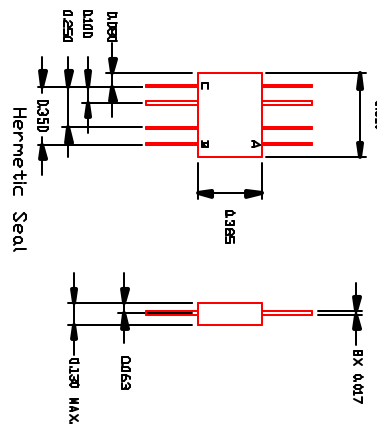
TYPE 'N' PACKAGE
(-N)



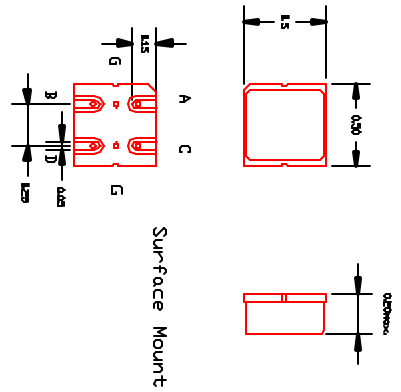
PD-2 L-BAND ONLY
TYPE BNC, 'F' DR 'N' PACKAGE
(-B, -F DR -N)



FP FLATPACK
(-FP)

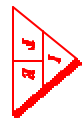


SMT PACKAGE
(-SMT)



Surface Mount

- NOTES:
1. SPECIFICATIONS SUBJECT TO CHANGE WITHOUT NOTICE.
 2. CONTACT FACTORY FOR OTHER OPTIONS



I.F. ENGINEERING

151 CENTER ROAD, DUDLEY MA 01571

Telephone 508-943-5636

Facsimile 508-943-4872

ifeng@m.a.ultronet.com

www.ifengineering.com

CODE IDENT NO.
OUFA1