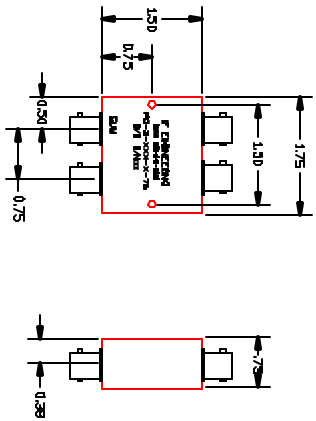
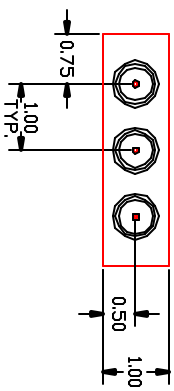
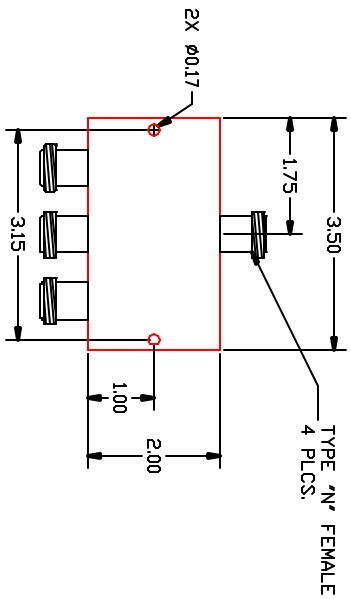


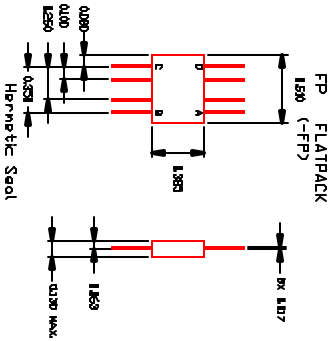
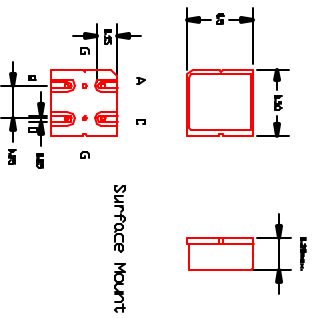
BNC DR ^{FF} PACKAGE
(-B DR -F)



TYPE 'N' PACKAGE
(-N)

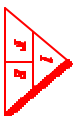


SN1 PACKAGE
(-SND)



FP FLATPACK
(-FPF)

- NOTES:
1. SPECIFICATIONS SUBJECT TO CHANGE WITHOUT NOTICE.
 2. CONTACT FACTORY FOR OTHER OPTIONS



I.F. ENGINEERING

151 CENTER ROAD, DUDLEY MA 01571

Telephone 508-943-5636
Facsimile 508-943-4872
ifeng@ma.ultranet.com
www.ifengineering.com

CODE IDENT NO.
OUFA1